

4

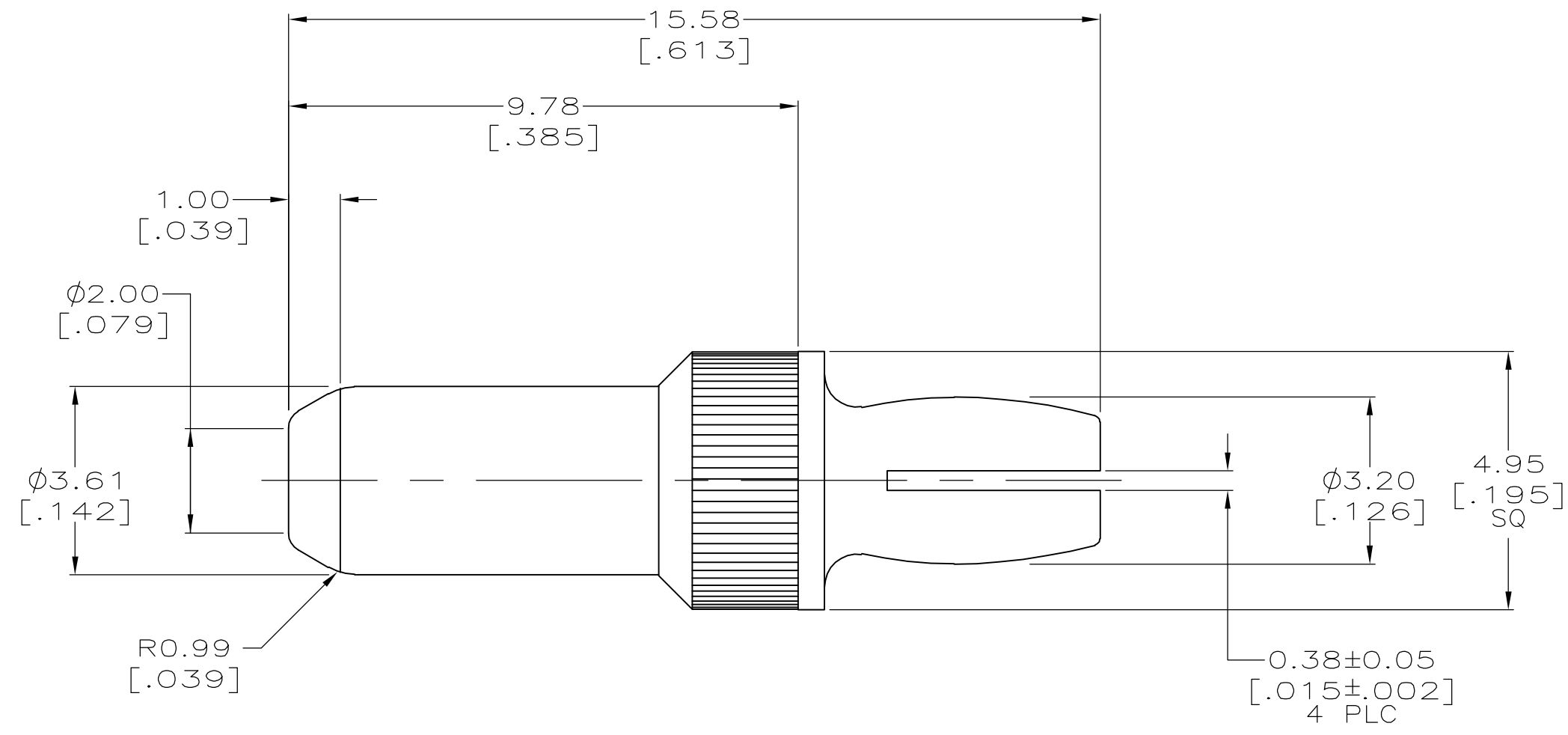
3

2

1

THIS DRAWING IS UNPUBLISHED. RELEASED FOR PUBLICATION
 © COPYRIGHT BY TYCO ELECTRONICS CORPORATION. ALL RIGHTS RESERVED.

LOC	DIST	REVISIONS					
AD	00	P	LTR	DESCRIPTION	DATE	DWN	APVD
		B		REV PER EC 0S12-0302-05	05DEC05	BC	GS



148546-1
 PART NUMBER

- ① CONTACT: COPPER ALLOY.
- ② CONTACT: 0.76µm [.000030] MIN GOLD OVER 1.27µm [.000050] MIN NICKEL.
- 3. COMPLIANT PIN REQUIRES A 2.36 [.093] MIN THICK PC BOARD. DRILLED HOLES ARE Ø3.13±0.08 [.123±.003] WITH 0.05±0.025 [.002±.001] COPPER AND 0.005 [.0001] MIN TIN-LEAD. FINISHED HOLE SIZE TO BE 3±0.08 [.118±.003].

THIS DRAWING IS A CONTROLLED DOCUMENT.		DWN	B.CARBO	25 AUG 99	 Tyco Electronics Corporation Harrisburg, PA 17105-3608
DIMENSIONS: mm [INCHES]		CHK	C.RICHARD	25 AUG 99	
TOLERANCES UNLESS OTHERWISE SPECIFIED:		APVD	C.RICHARD	25 AUG 99	
0 PLC ± - 1 PLC ± - 2 PLC ± 0.13 [.005] 3 PLC ± - 4 PLC ± - ANGLES ± -		PRODUCT SPEC		NAME	
MATERIAL ①		FINISH ②		POWER CONTACT, MALE, PRESS FIT, (40 AMP)	
		WEIGHT	-		RESTRICTED TO
		CUSTOMER DRAWING		SIZE	A3
				CAGE CODE	00779
				DRAWING NO	148546
				SCALE	10:1
				SHEET	1 of 1
				REV	B